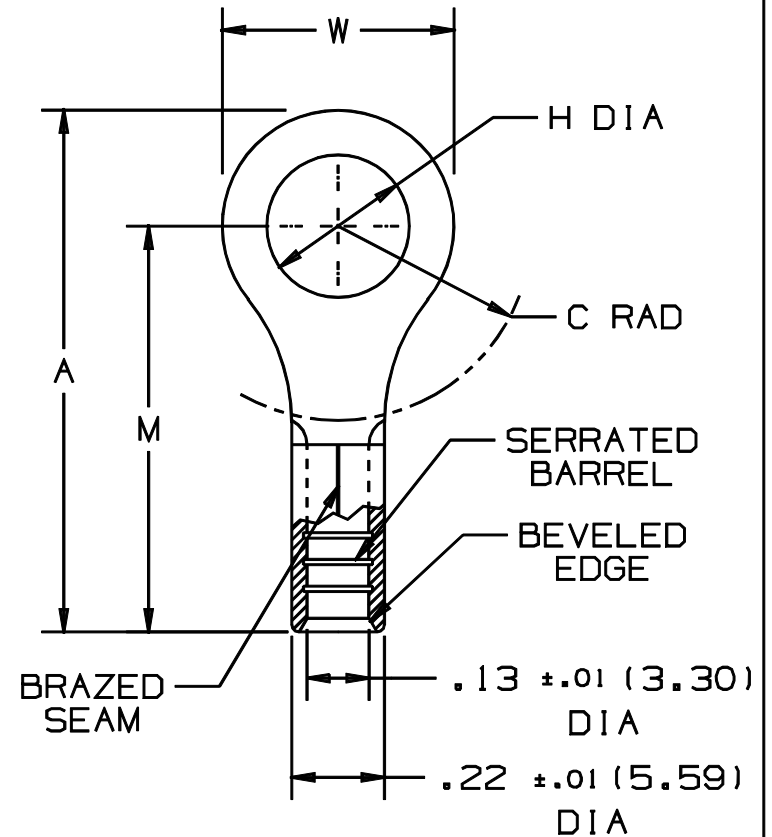


THIS COPY IS PROVIDED ON A RESTRICTED BASIS AND IS NOT TO BE USED IN ANY WAY DETRIMENTAL TO THE INTERESTS OF PANDUIT CORP.

PANDUIT PART NUMBER	STUD SIZE	DIMENSIONS in.				
		A $\pm .02$	W $\pm .01$	C $\pm .02$	M $\pm .02$	H $\pm .01$
P10-6RHT6	#6	.78 (19.81)	.31 (7.87)	.35 (8.89)	.62 (15.75)	.15 (3.81)
P10-8RHT6	#8	.78 (19.81)	.31 (7.87)	.35 (8.89)	.62 (15.75)	.17 (4.32)
P10-10RHT6	#10	.81 (20.57)	.38 (9.65)	.33 (8.38)	.62 (15.75)	.20 (5.08)
P10-14RHT6	1/4"	.96 (24.38)	.53 (13.46)	.42 (10.67)	.70 (17.78)	.27 (6.86)

NOTES:

- RECOMMENDED FOR:
  - #12-10 AWG SOLID OR STRANDED COPPER WIRE \*
  - 650° F (343° C) MAX. TEMP. RATING
- MATERIAL:
  - STAMPING- .04" (1.02) THK COPPER, NICKEL PLATED
- PACKAGE QTY: STD. PKG. - L = 50  
BULK PKG. - D = 500
- DIMENSIONS IN BRACKETS ARE IN MILLIMETERS
- INSTALLATION TOOLS:
  - PANDUIT APPROVED: CT-100, CT-200, CT-160, CT-260, CT-570, CT-1570



\* APPROVED FOR USE WITH # 14 - 10 AWG SOLID OR STRANDED COPPER WIRE WHEN INSTALLED WITH THE CT-570 OR CT-1570 TOOLS

A41267\_01

					<b>PANDUIT</b> CORP.		TINLEY PARK, ILLINOIS							
01	1/01	RM	FILESPEC WAS N41267AA_PCD_00											
00	1/96	ED	REV.S TON NOTES & DIM.S/ FILESPEC WAS: A41267A			03883								
REV	DATE	BY	CHK	DESCRIPTION			ECN#	CUST	PM	APP	DRAWN BY EJD	CHK'D	SCALE NONE	DRAWING NO. A41267